

Café™ Stainless Interior Built-In Dishwasher with Hidden Controls

CDT866P4MW2 / CDT866P3MD1

CAFÉ



CDT866P4MW2
Matte White with Brushed
Bronze handles

\$1749 MSRP

ALSO
AVAILABLE IN



CDT866P3MD1
Matte Black with
Brushed Stainless
handles



FEATURES & BENEFITS

Always have clean dishes ready for surprise guests with **WiFi Connect**, which lets you operate your dishwasher from your smartphone. Track and automatically reorder detergent and rinse aid with just the tap of an app

Set a stunning table with dishes that sparkle thanks to the industry's most **advanced wash system with over 140 cleaning jets** that deliver complete coverage to every inch of the dishwasher.

Spotted silverware has no place at your table, thanks to **Deep Clean silverware jets** that ensure every utensil comes out looking immaculate.

Easily clean an entire dinner-party's worth of flatware at once with a convenient **third rack** across the top of the dishwasher.

Vases, canisters and bottles are always clean and ready for your tablescape thanks to the targeted washing power of **bottle jets**.

Get dishes impressively clean with the revolutionary **reversing quad-blade lower wash arm** and its 25 spray jets to hit items from every angle.

Plates, silverware and glassware are ready to go from dishwasher to table thanks to a 1,000-watt **hidden heater and vent with fan dry**.

Create more room for platters, baking sheets, stemware and more with an **adjustable upper rack** that glides up or down 2-inches with one easy touch

Sleek and easy to operate, the **top control design and LCD display** keeps buttons out of sight while still within reach.

Achieve a complete clean with powerful **side jets** that cascade water to fill the dishwasher and washes soils away.

Run the dishwasher without interrupting the mood with ultra-quiet **40 dBA** operations.

APPEARANCE

Door Style	Long Door with Top Controls
Installation	Side Installation or Top Installation Included; Built-Up Floor Capable; Flush Cabinet Installation
Door Appearance	Full-length flat door

FEATURES

Style	Built-In
Tub and Door Liner	Stainless Steel
Tub Type	Tall Tub
Control Type	Top Controls; Electronic Tactile Buttons
Dishwasher Control Features	LCD Display; Cycle Countdown with Bi-Color LED Status Light on door; 1 "Clean" Light, 1 "Sanitized" Light, 1 "Low Rinse Aid" Light; Last Cycle Memory; Audible End-of-Cycle Signal
Wash System	800 Series; 3-Level
Wash System Features	Variable Speed Dual Pumps and Motors; Automatic Temperature Control; Drain Pump; Piranha™ Hard Food Disposer with removable filter; Reversing Quad Blade Lower Wash Arm; Quad Blade Middle Wash Arm; Deep Clean Silverware Jets; Bottle Jets; Side Jets; 140+ Spray Jet Wash System; Hidden Heater; Automatic HotStart
Sensor	Clean Sensor
Wash Arms	3 Wash Levels; Lower- Reversing Quad Blade; Middle - Quad Blade; Bottle Jets; Side Jets; Jets - Variable Pressure
Water Filtration System	100% Filtration with Piranha Hard Food Disposer and Removable Filter
Dispenser	Rinse Aid with Indicator and Adjustment; Electronic Low Rinse Aid Sensor
Number of Cycles	7
Dishwasher Cycles	Auto Sense; Heavy Wash; Normal Wash; Light Wash; Rinse; Express; eWash
Number of Options	10
Dishwasher Options	Delay Start 1-12 Hr.; Pre Soak; Wash TempBoost; Sani (NSF Certified); Heated Dry; Wash Zone Upper Only; Wash Zone Lower Only; Start/Reset; Bottle Wash
Rack Features	2 Utility Shelves with Stem Safe - Upper; Ball-Tipped Tines; Adjustable Upper Rack; 3-Piece Silverware Basket with Cell Covers; Fold-down tines - Upper; Fold-Down Tines - Lower
Racking Material	Nylon
Rack Color	Black Pearl
Number of Place Settings	Up to 16
Upper Rack	Premium Height Adjustable; Ball-Tip Tines; 2 Stem Safe Shelves; 1/2 fixed tines, 1/2 fold down tines; 1 Rack handle
Lower Rack	Ball-Tip Tines; Multi-Position Fold Down Tines; 1 Rack handle
Dishwasher Drying Features	Power Dry - On/Off; Fan Assist Dry
Floor Protection	Floor Protect with Alert
Leveling System	4 Leveling Legs
Latch	Pull with Handle
Exterior Style	Traditional
Racking System	Full 3rd rack
Cutlery Tray	One piece removable 3rd rack
WiFi Connect	Built-In
Connected Capabilities	Amazon Alexa; The Google Assistant; IFTTT; Amazon Dash Replenishment

ECONOMICAL/QUIET

Quiet Package	40 dBA
Quiet Features	Quiet Water Valve; Sealed Toe Kick; Tub Collar Trim
Motor Type	Variable Speed
Outer Wrap	Full-wrap Blanket; Bitumen
Door Insulation	Insulation; Mastic

WEIGHTS & DIMENSIONS

Cabinet Width	24 in
Approximate Shipping Weight	137 lb
Net Weight	124 lb
Overall Height	34 in
Height w/ Legs Retracted - Minimum Height	33-3/8 in
Height w/Legs Extended - Maximum Height	34-5/8 in
Overall Depth	24 in
Overall Width	23-3/4 in

Café™ Stainless Interior Built-In Dishwasher with Hidden Controls



CDT866P4MW2 / CDT866P3MD1

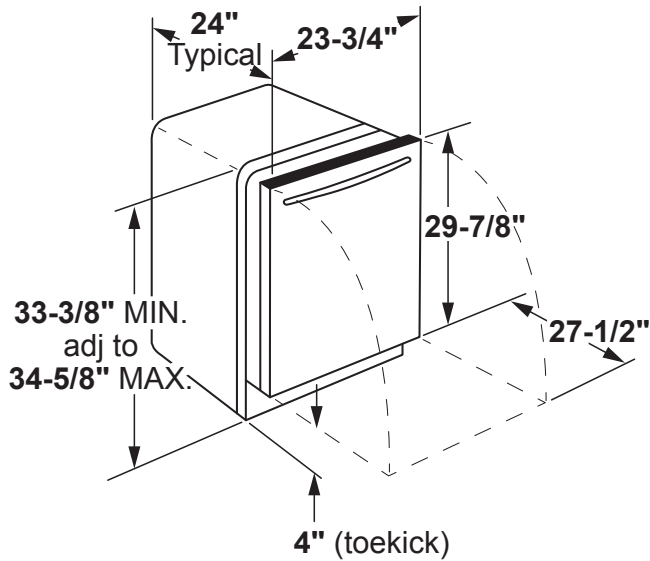
TECHNICAL DETAILS

Calrod Heater Watts	1060
Power Connection	Power Cord - Not Included
Volts/Hertz/Amps	120 V; 60 Hz; 9.0 A

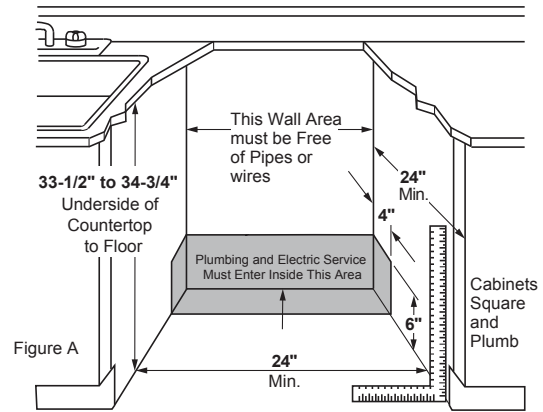
WARRANTY

Parts warranty	Limited 1-year entire appliance
Labor warranty	Limited 1-year entire appliance
Warranty notes	See written warranty for full details

DIMENSIONS



INSTALLATION DIMENSIONS



ADDITIONAL ACCESSORIES



Brushed Bronze
CXADTH1PMBZ
(Standard on Matte White)



Brushed Stainless
CXADTH1PMSS
(Standard on Matte Black)



Brushed Black
CXADTH1PMBT



Brushed Copper
CXADTH1PMCU